

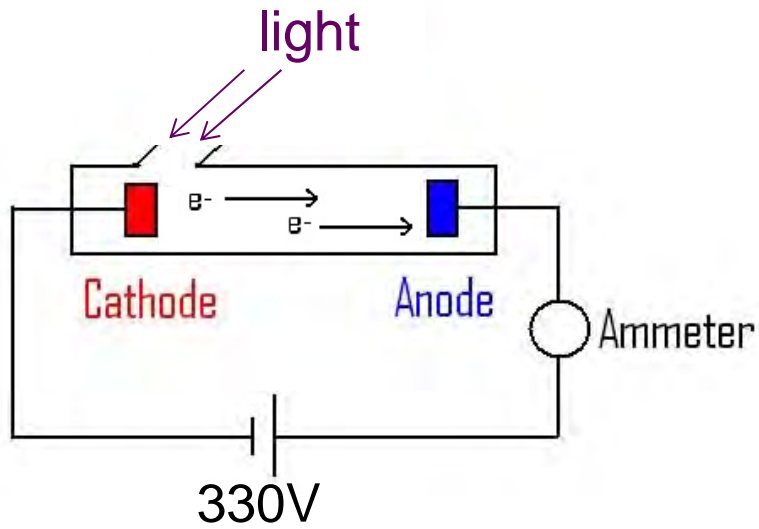
Rejuvenation of a Cesium-Based Dispenser Photocathode in Response to Atmospheric Contamination



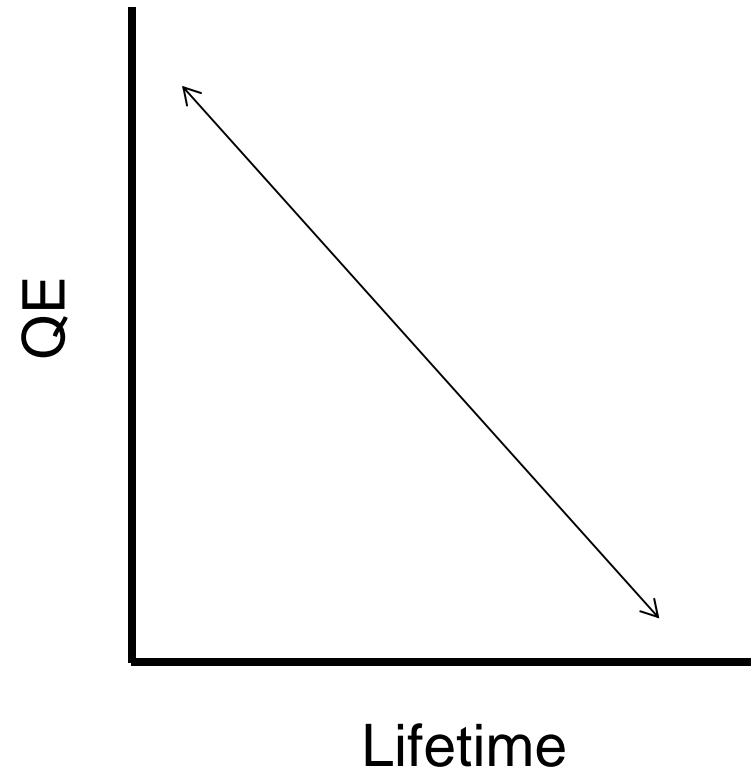
TREND 2012
Training and Research Experiences in Nonlinear Dynamics

Alexandra Day
Collaborators: Dr. Eric Montgomery,
Dr. Kevin Jensen, Blake Riddick, Saara Khan, Scott Eustice

Photocathodes and Quantum Efficiency



http://chemwiki.ucdavis.edu/Physical_Chemistry/Quantum_Mechanics/Photoelectric_Effect

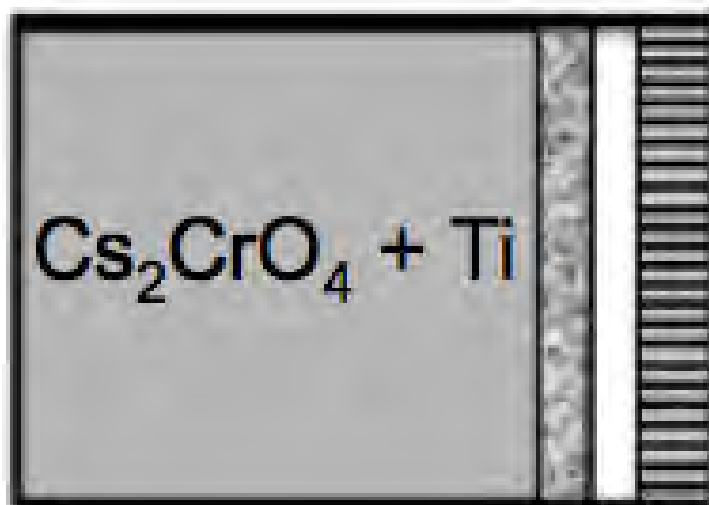


$$QE = \frac{\text{Electrons Out}}{\text{Photons In}} = \frac{hc i}{q\lambda p_{\lambda}}$$

Hybrid Dispenser Photocathode

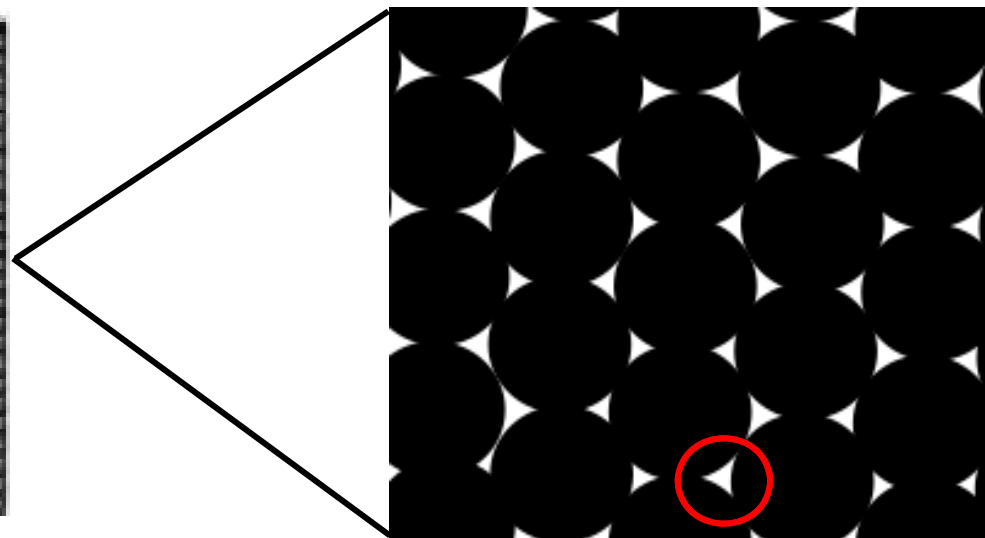
Side View

– 20mm

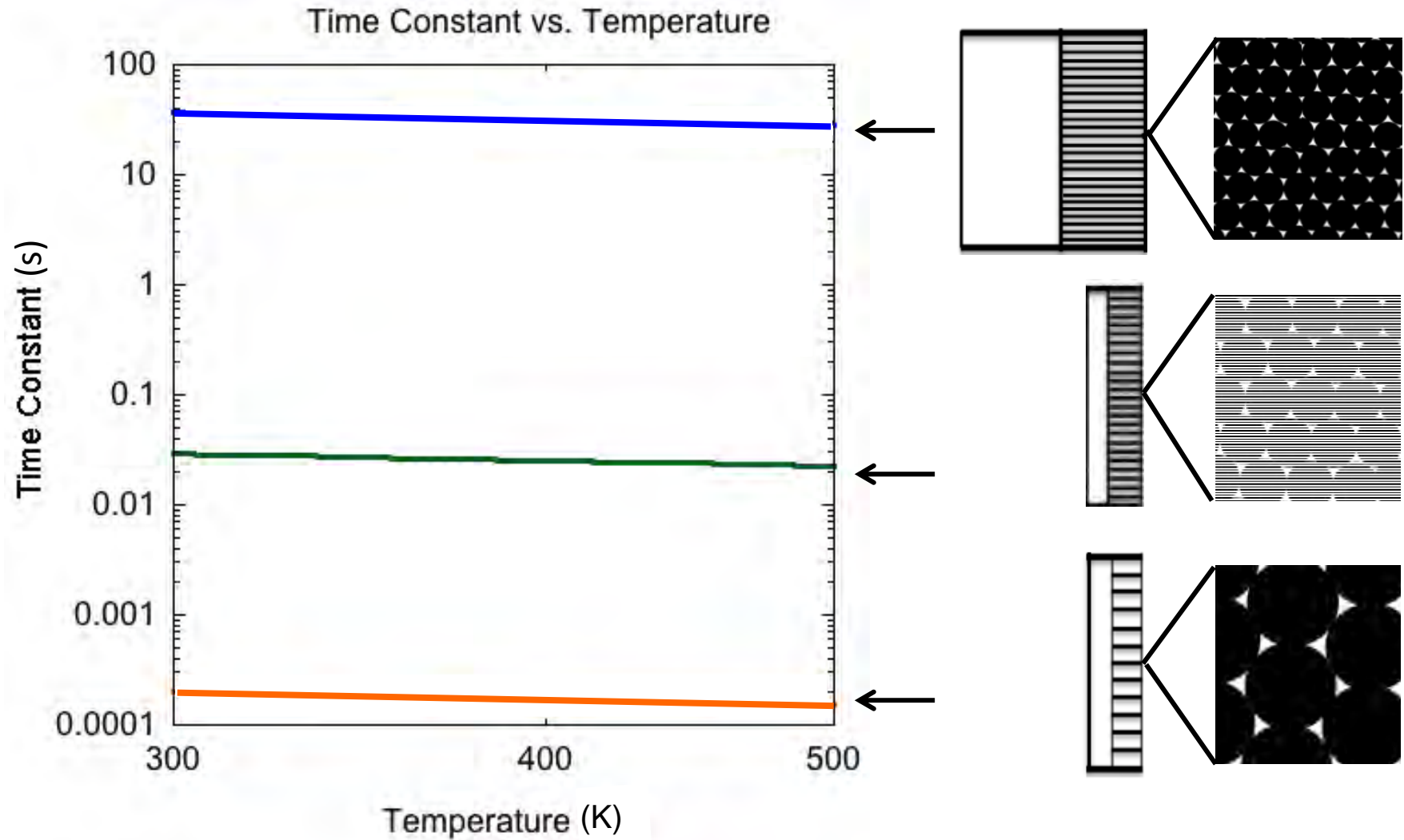


Surface Detail

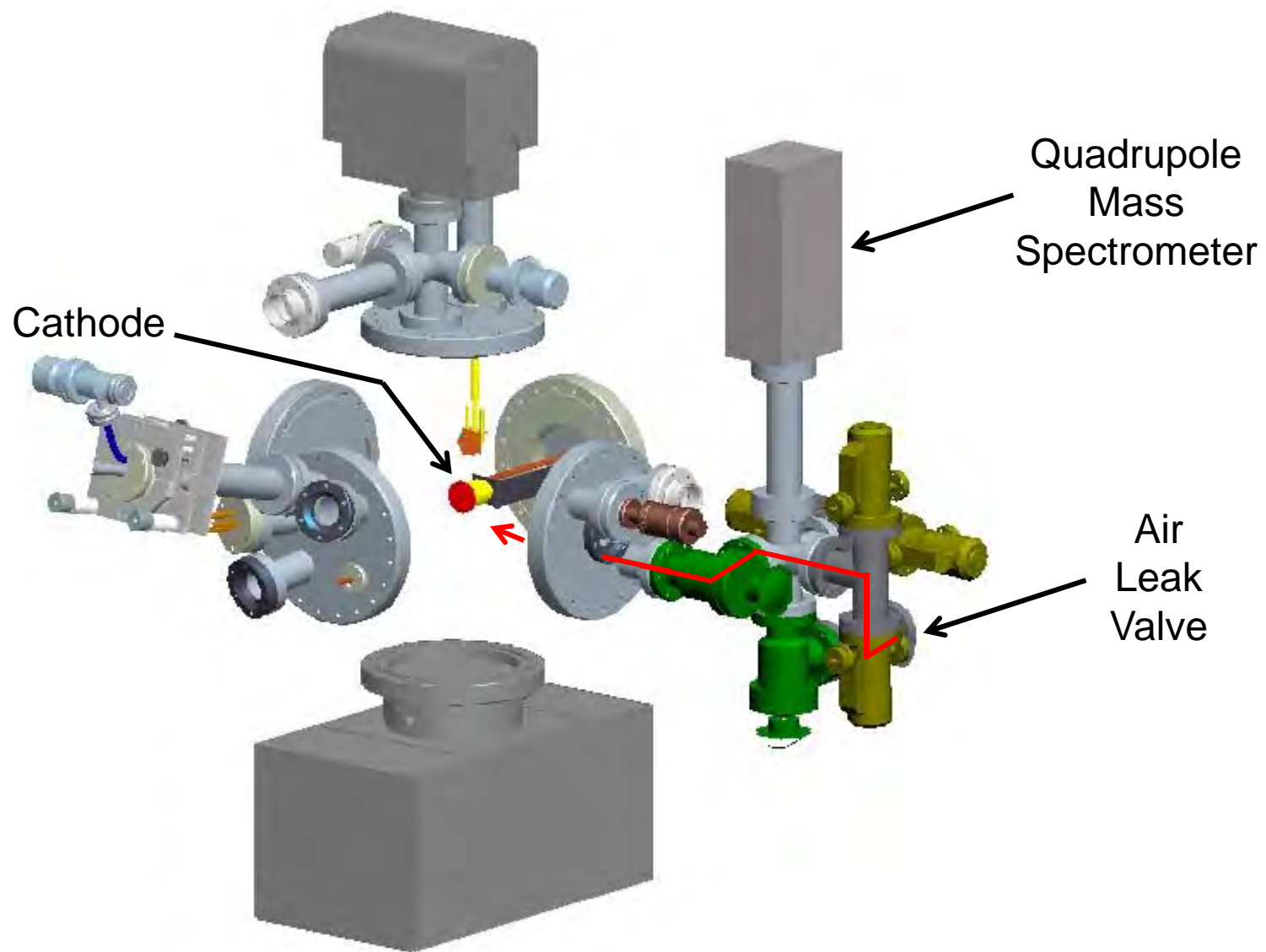
– 20 μm



Knudsen Flow Model



Contamination



Cathode Recovery

